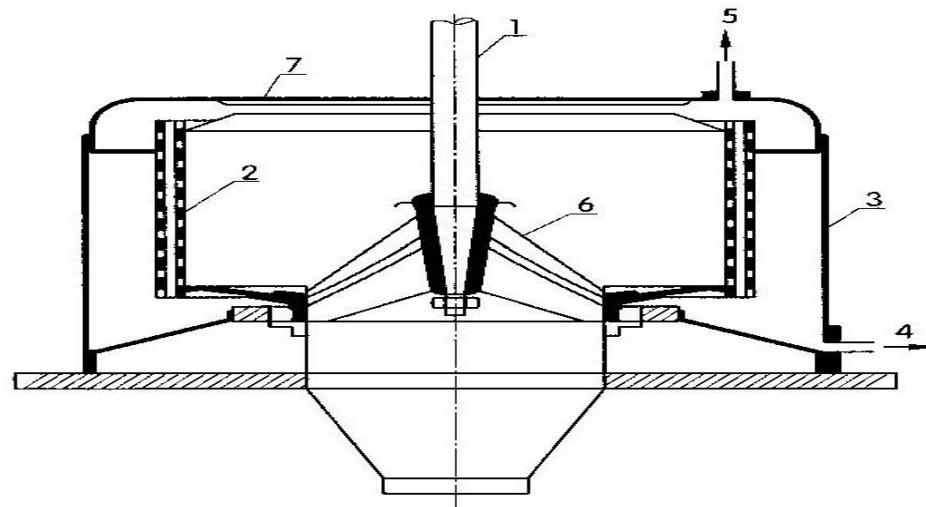


# Crystallization of the sugar, washing and spinning crystals of sugar

The mixture of syrup and crystals of the sugar is spinned in centrifugal machines in order to separate crystals. Centrifugal machines are big metal drums with small holes in the side walls. In time of fast revolutions of centrifugal machines, the syrup flows away by the holes outside and the crystals precipitate on the walls of the drum.



# Drying of crystals of sugar

**Before packing, spinned crystals are dried by hot air**

